

Inductive flat type Proximity switch

■ Features

- Surge protection circuit.
- Reverse polarity protection.
- Short-circuit protection(PFI series).
- Red LED indicator for monitoring the operation.
- Wide application for rreplacement of micro switch, limit switch, etc.
- The load with Max. 200mA can be operated within range of operating voltage 10 to 30VDC.



■ Type

◎DC 3 wire switching type

| Appearances | | Model |
|-------------|--|---------------------|
| PFI | | PFI25-8DN |
| | | PFI25-8DP |
| | | PFI25-8DN2 ※ |
| | | PFI25-8DP2 ※ |
| PFM | | PFM25-5DN |
| | | PFM25-5DP |

※Mark is option.

■ Specification

| Model | PFI25-8DN PFI25-8DP PFI25-8DN2 PFI25-8DP2 | PFM25-5DN PFM25-5DP |
|------------------------------------|---|--------------------------------------|
| Detecting distance | 8mm ±10% | 5mm ±10% |
| Hysteresis | Max. 10% of detecting distance | |
| Standard detecting target | 25×25×1mm (Iron) | |
| Setting distance | 0 to 5.5 | 0 to 3.5 |
| Power supply (Operating voltage) | 12 to 24VDC (10 to 30VDC) | |
| Power consumption | Max. 10mA | |
| Response frequency | 200Hz | 350Hz |
| Residual voltage | Max. 1.5V | |
| Variation due to Temp. fluctuation | ±10% Max. of detecting distance at +20℃ within temperature range of -25 to +70℃ | |
| Control output | Resistive load:200mA, Inductive load:100mA | |
| Insulation resistance | Min. 50M Ω (500VDC) | |
| Dielectric strength | 1500VAC 50/60Hz for 1minute | |
| Vibration | 1mm amplitude at frequency of 10 to 55Hz in each of X,Y,Z directions for 2 hours | |
| Shock | 500ms ² (50G) in X,Y,Z directions for 3 times | |
| Indicator | Operating indicator : red LED | |
| Operating temperature | -25 to +70℃ (non-freezing condition) | |
| Storage temperature | -30 to +80℃ (non-freezing condition) | |
| Ambient humidity | 35 to 95% RH | |
| Protection circuit | Reverse polarity protection, surge protection circuit, overload & short-circuit protection (PFI Series) | |
| Protection | IP67 (IEC specification) | |
| Weight | About 93g | About 92g |

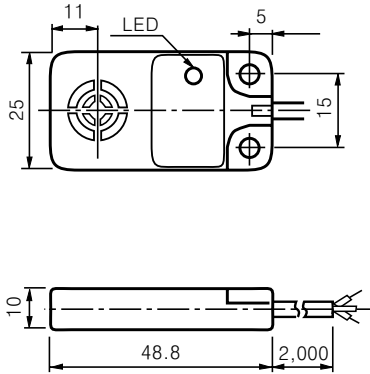
※The weight of above chart is net weight.

PF SERIES

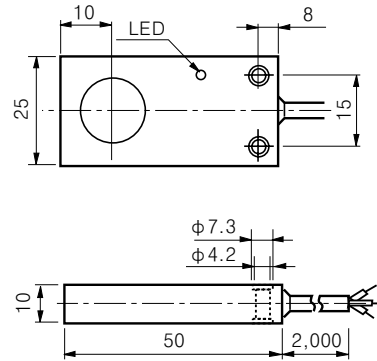
Dimensions

Unit:mm

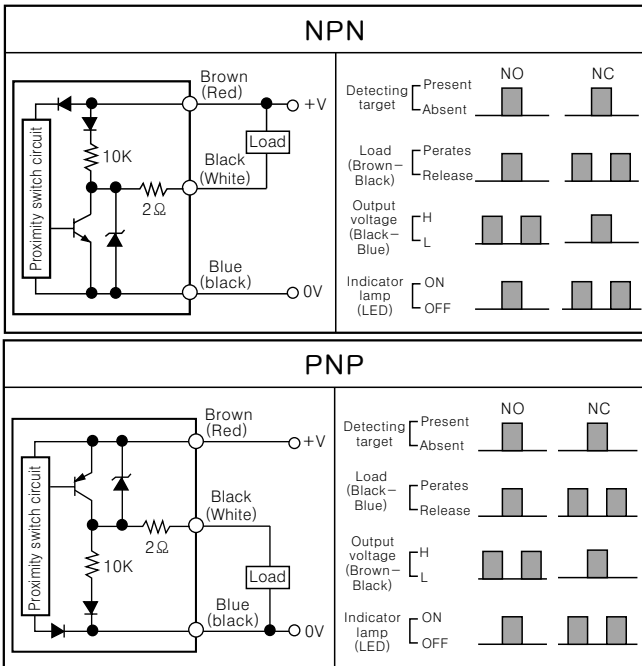
●PFI 25-8D



●PFM25-5D



Control output circuit & operating load



Connection

◎DC switching type

